

# FM07

## 7" Intel® Celeron® N3350 Windows Vehicle Mounted Computer



### KEY FEATURES

- Intel® Celeron® N3350 Apollo Lake, 7inch Windows Vehicle Mounted Computer
- 7" 1024 x 600 panel with projected capacitive Multi-Touch screen
- Wide power input 9-36V DC with ignition
- M12 waterproof connectors
- IP65 waterproof and dustproof
- Shock and vibration resistance according to MIL-STD-810G



### SPECIFICATIONS

Display			
Resolution	1024x600	Size	7.0 inches
Contrast Ratio	700:1	Panel Brightness	1000 nits
View Angles	75,75,75,70	Touch / Glass	Projected Capacitive Multi Touch Screen
System Specification			
Processor	Intel® Celeron® N3350 (2M Cache, up to 2.4 GHz) Intel® Pentium® N4200 (2M Cache, up to 2.5 GHz) (Optional)	Memory	1 x SO-DIMM, 4GB DDR3L 1600 MHz 1 x SO-DIMM, 8GB DDR3L 1600 MHz (Optional)
Storage	1 x M.2 2242 SSD 64GB	Ethernet controller	1 x Intel® Ethernet Controller I210-AT
Operating System	Windows 10 IoT Enterprise Linux Ubuntu 18.04 (Optional)	WLAN	802.11 a/b/g/n/ac mode
BT	BT Support	WWAN	4G/LTE (Optional)
GNSS	GPS/AGPS		
Environment			
Operating Humidity	10% to 95% RH	Operating Temperature	-20°C to 60°C
Storage Temperature	-20°C to 60°C	Shock	MIL-STD-810G Method 516.6 Procedure I, 30 g for 18 ms
Vibration	MIL-STD-810G Method 514.6 Procedure I, 1.60/ 1.96/ 2.18 g rms for XYZ/ 5-500 Hz	IP rating	IP65, Dustproof and Waterproof
Certification			
Certification	CE, FCC, E-mark		
IO Ports			
USB Port	2 x USB for DB9	Serial Port	1 x COM Port
SIM Card Slot	1 x SIM Card Slot	Audio	1x Speaker
LAN	1 x Gigabit Ethernet LAN 10/100/100 Mbps (M12 type)	Front Control	5 x Function Key
Indicator	Power, HD	DIDO	DIDO (5XDI ; 3XDO)
CANBUS	2 Port CANBus		
Control			
Button	1 x Power Button, 5x Function Button (Programmable Function Key Configured by		

Winset)

**Mechanical**

**Dimension** 188.75 x 144.75 x 39.5 mm

**Mounting**

RAM Mount/ VESA Mount

**Cooling System** Fanless Design

**Accessory**

**Accessory** User Guide  
Driver CD  
M12 LAN Cable, 1.8m  
RS-232 Cable, 1.8m  
M12 Power Cable, 1.8m  
USB Cable, 0.3m  
CANBus Cable, 1.8m  
Wi-Fi Antenna  
Power Converter Cable  
Power Adapter

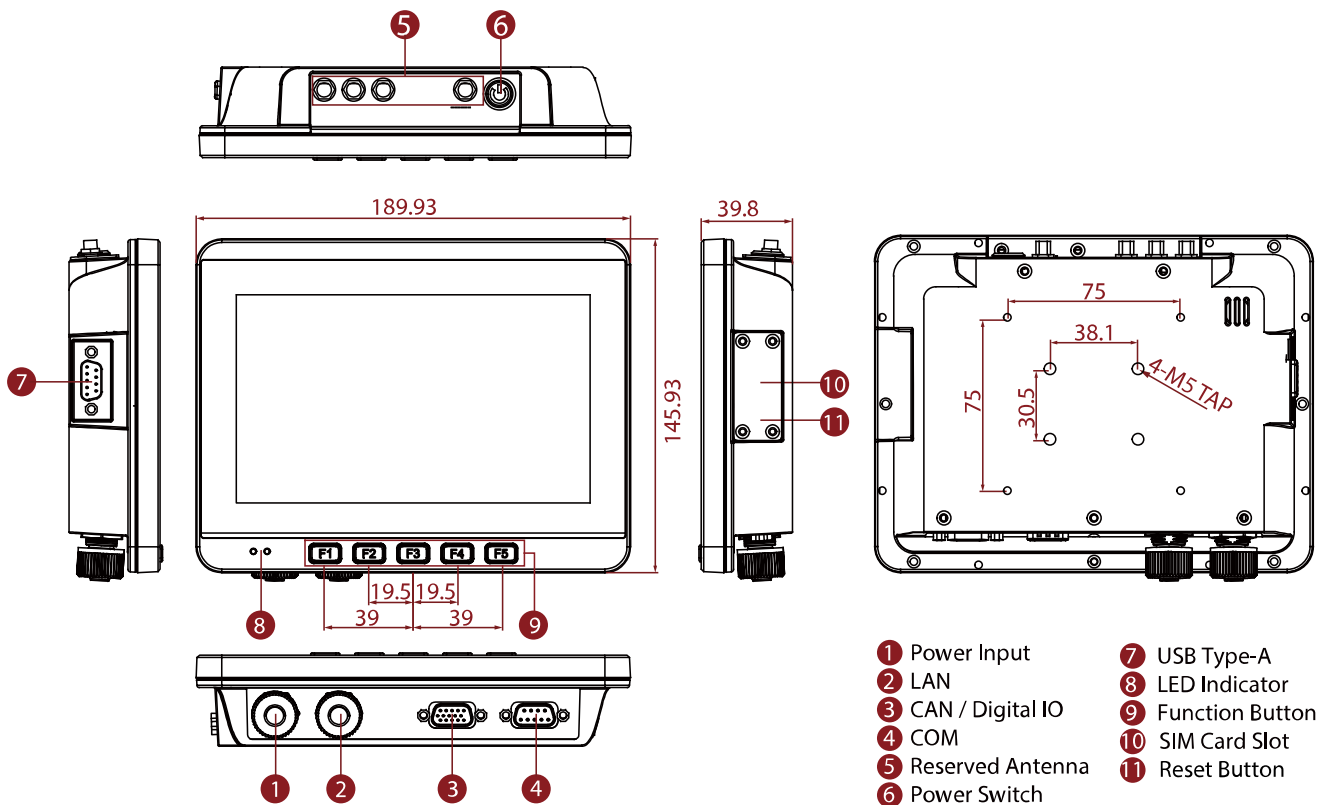
**Optional Accessory** WWAN Antenna x 2 (Optional)  
Audio Cable, 0.3m (Optional)  
GPS Antenna, 3m (Optional)

**Power**

**Power Rating** 9V-36V, with ignition control

**DIMENSIONS** UNIT:MM

**FM07 7inch Windows Vehicle Mounted Computer**



**NOTE**

1. Total usable memory will be less dependent upon actual system configuration.
2. Length measurements do not include protrusions. Weight varies with options.
3. Accessories may vary depending on your configuration.
4. This is a simplified drawing and some components are not marked in detail.
5. The product shown in this datasheet is a standard model. For diagrams that contain customized or optional I/O, please contact the Winmate Sales Team for more information.